









Benne a polipo per rifiuti, rottami e materiali vari,
 ideale per veicoli industriali.
*Polyp grabs for waste, scrap and different
 materials, suitable for industrial vehicles.*

Tipologie di pale disponibili Types of shovels available

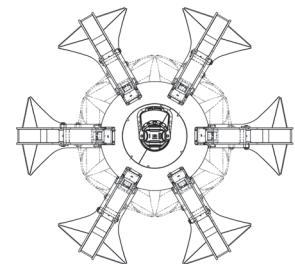
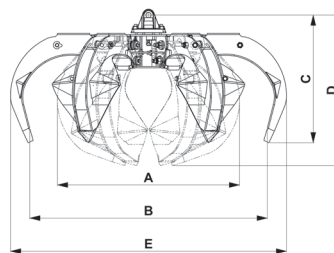
Large	Standard	Slim
		
Pala large non disponibile per le versioni Z Large shovels not available for Z version		

Modelli Models	Capacità Capacity	Peso Weight	Pale Shovels	A	B	C	D	E	Pressione Pressure			Portata Load capacity	Rotatore consigliato Suggested rotator	
	lt	kg	n°	mm	mm	mm	mm	mm	bar	ton*	ton**	kg	type	
FSG 90/4	90	81	4	650	1010	430	580	1090	200	0,15-0,3	1,0-2,0	750	FR 35	
FSG 110/4	110	105	4	730	1130	480	650	1230	250	0,25-0,5	2,0-3,0	900	FR 35	
FSG 110/5	110	118	5	730	1130	480	650	1230	250	0,25-0,5	2,0-3,0	1500	FR 35	
FSG 120/4	120	112	4	743	1240	497	700	1340	250	0,3-0,6	2,5-4,0	900	FR 35	
FSG 120/5	120	130	5	743	1240	497	700	1340	250	0,3-0,6	2,5-4,0	1500	FR 35	
FSG 160/4	160	230	4	900	1300	550	750	1400	250	0,3-0,8	3,0-5,0	1500	FR 50	
FSG 160/5	160	265	5	900	1300	550	750	1400	250	0,4-1,0	3,0-5,0	2000	FR 50	
FSG 160/6	160	310	6	900	1300	550	750	1400	250	0,4-1,0	3,0-5,0	2500	FR 50	
FSG 210/4	210	250	4	920	1560	600	890	1650	250	0,5-1,1	3,0-6,0	1500	FR 50	
FSG 210/5	210	275	5	920	1560	600	890	1650	250	0,6-1,2	3,0-6,0	2000	FR 50	
FSG 210/6	210	320	6	920	1560	600	890	1650	250	0,6-1,2	3,0-6,0	2500	FR 50	
FSG 270/4	270	310	4	1000	1490	650	900	1640	250	0,7-1,3	4,0-7,0	2000	FR 50	
FSG 270/5	270	350	5	1000	1490	650	900	1640	250	0,8-1,6	4,0-7,0	2500	FR 85 SX	
FSG 270/6	270	390	6	1000	1490	650	900	1640	250	0,8-1,6	4,0-7,0	3000	FR 85 SX	
FSG 330/4	330	375	4	1120	1630	680	930	1760	250	1,0-2,0	6,0-9,0	2500	FR 85 SX	
FSG 330/5	330	415	5	1120	1630	680	930	1760	250	1,0-2,0	6,0-9,0	3000	FR 85 SX	
FSG 330/6	330	460	6	1120	1630	680	930	1760	250	1,0-2,0	6,0-9,0	3000	FR 85 SX	
FSG 400/4	400	420	4	1240	1780	760	970	1940	250	1,0-3,0	7,0-12	2500	FR 85 SX	
FSG 400/5	400	450	5	1240	1780	760	970	1940	250	1,0-3,0	7,0-12,0	3000	FR 85 SX	
FSG 400/6	400	520	6	1240	1780	760	970	1940	250	1,0-3,0	7,0-12,0	3000	FR 85 SX FR 128 SX	

In conformità EN 2006 42 CE - According to EN 2006 42 EC

* portata gru a braccio sfilato - crane capacity at max reach
 ** peso escavatore - excavator weight

Tutti i modelli sono disponibili con puntale hardox
 All models are available with hardox bits



www.hydrotruck-rotatory.cz
info@hydrotruck.cz

Hydrotruck s.r.o.
 Tovačovská 3457/4a
 750 02, Přerov
 Česká republika