

# OIL/AIR Coolers

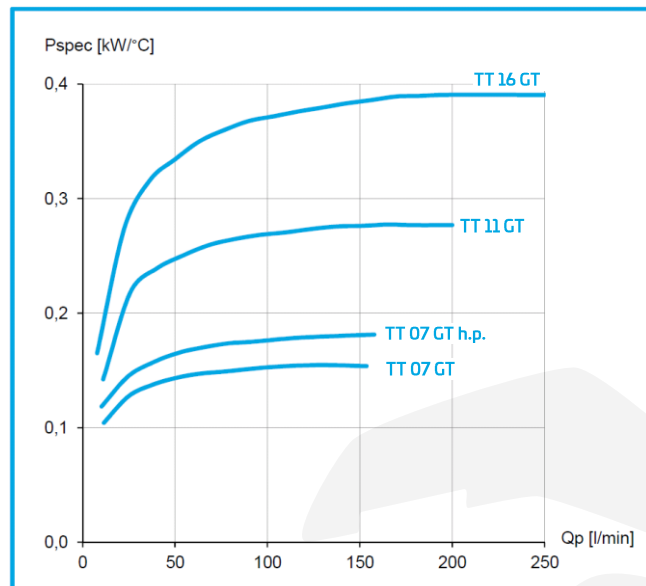
## Special Range / GT protect series



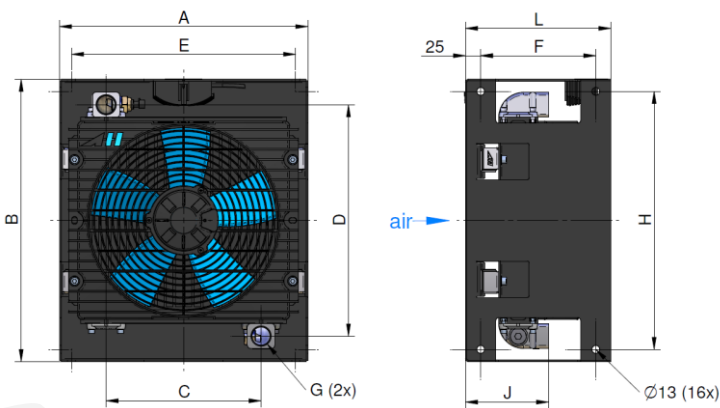
The GT cooler is a ready mounted cooler package, consisting of a cooler, protection housing, mounted rail connectors and the ready wired electronic temperature control. All standard cooler sizes from TT 07 to ASA 0177 are available as a GT cooler. Also the internal bypass version is easy to integrate with the same housing dimensions. The temperature control is a relay box in connection with a temperature sensor controlling the fan with the optimal fan speed and a soft start curve. This reduces the noise level and increases the duration of the fan unit. The protection housing is a solid metal framework for rough mobile and special applications. The radiator side is protected by a metal grid and the whole cooler is mounted on the asa rubber vibration absorbers to reduce the mechanical stress.

### Performance

#### Specific cooling performance



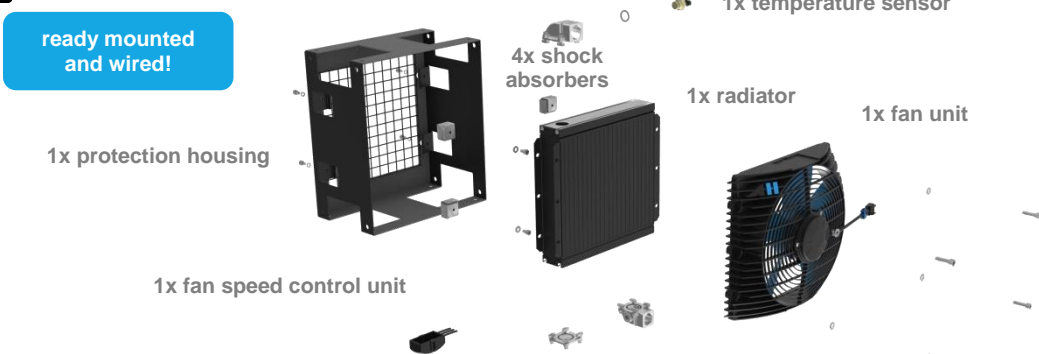
### Dimensions



Technical

order number	description	A	B	C	D	E	F	G	H	J	K	L	weight	optional internal bypass (2bar)
		[mm]	[mm]	[mm]	[mm]	[mm]	[mm]	BSP	[mm]	[mm]	[mm]	[mm]	[kg]	cooler order no.
ASATT07GD01GT	TT 07 rail 12V DC GT	334	425	179	341	300	190	1"	385	114	20	240	13,7	ASATT07GD01BPGT
ASATT07GD02GT	TT 07 rail 24V DC GT	334	425	179	341	300	190	1"	385	114	20	240	13,7	ASATT07GD02BPGT
ASATT07GD03GT	TT 07 rail 12V DC GT h.p.	334	425	179	341	300	190	1"	385	114	20	240	14,1	ASATT07GD03BPGT
ASATT07GD04GT	TT 07 rail 24V DC GT h.p.	334	425	179	341	300	190	1"	385	114	20	240	14,1	ASATT07GD04BPGT
ASATT11GD01GT	TT 11 rail 12V DC GT	410	465	256	381	370	190	1"	425	137	25	240	20,1	ASATT11GD01BPGT
ASATT11GD02GT	TT 11 rail 24V DC GT	410	465	256	381	370	190	1"	425	137	25	240	20,1	ASATT11GD02BPGT
ASATT16GD01GT	TT 16 rail 12V DC GT	490	590	328	515	450	210	1 1/4"	550	143	25	260	30,3	ASATT16GD01BPGT
ASATT16GD02GT	TT 16 rail 24V DC GT	490	590	328	515	450	210	1 1/4"	550	143	25	260	30,3	ASATT16GD02BPGT

### Configuration



### Radiator

material	aluminium
working temperature range:	-20°C to +80°C (oil temperature)
air fin shape:	wavy
working pressure:	26 bar (static)
internal bypass	alternative bypass settings (1bar / 5 bar)



[www.hydrotruck.cz](http://www.hydrotruck.cz)  
[info@hydrotruck.cz](mailto:info@hydrotruck.cz)

Hydrotruck s.r.o.  
 Tovačovská 3457/4a  
 750 02, Přerov  
 Česká republika