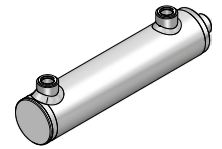
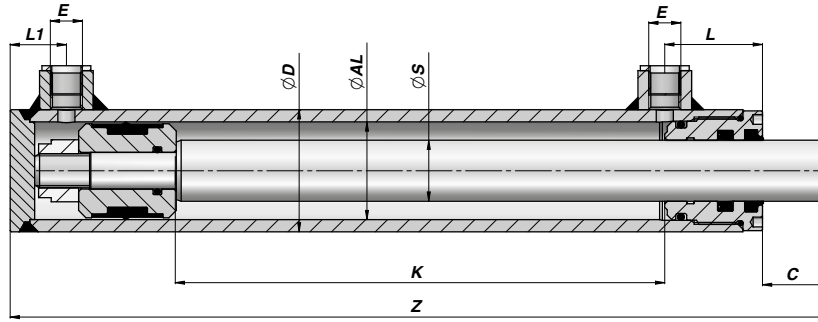


Codice Code	K	Z	kg	E BSP	L	L1	C	Codice Code	K	Z	kg
ØD 35 ØAL 25 ØS 16											
HM0025160050	50	135	0,71	1/4"	33	15	17				
HM0025160100	100	185	0,97								
HM0025160150	150	235	1,23								
HM0025160200	200	285	1,50								
ØD 42 ØAL 32 ØS 20											
HM0032200050	50	155	1,27	1/4"	33	20	16				
HM0032200100	100	205	1,62								
HM0032200150	150	255	1,97								
HM0032200200	200	305	2,33								
HM0032200250	250	355	2,68								
HM0032200300	300	405	3,03								
HM0032200400	400	505	3,73								
HM0032200500	500	605	4,42								
ØD 50 ØAL 40 ØS 20											
HM01200100	100	230	2,29	1/4"	40	23	22	HM01250100	100	230	2,45
HM01200150	150	280	2,69					HM01250150	150	280	2,92
HM01200200	200	330	3,09					HM01250200	200	330	3,40
HM01200250	250	380	3,49					HM01250250	250	380	3,86
HM01200300	300	430	3,83					HM01250300	300	430	4,33
HM01200350	350	480	4,29					HM01250350	350	480	4,80
HM01200400	400	530	4,69					HM01250400	400	530	5,27
HM01200450	450	580	5,08					HM01250450	450	580	5,74
HM01200500	500	630	5,49					HM01250500	500	630	6,21
								HM01250550	550	680	6,68
				HM01250600	600	730	7,14				
ØD 60 ØAL 50 ØS 25											
HM02250100	100	240	3,30	3/8"	43	26	22	HM02300100 NEW!	100	240	3,51
HM02250150	150	290	3,83					HM02300150	150	290	4,12
HM02250200	200	340	4,36					HM02300200	200	340	4,70
HM02250250	250	390	4,89					HM02300250	250	390	5,40
HM02250300	300	440	5,42					HM02300300	300	440	6,00
HM02250350	350	490	5,95					HM02300350	350	490	6,60
HM02250400	400	540	6,48					HM02300400	400	540	7,20
HM02250450	450	590	7,01					HM02300450	450	590	7,81
HM02250500	500	640	7,54					HM02300500	500	640	8,42
HM02250550	550	690	8,07					HM02300550	550	690	9,00
HM02250600	600	740	8,60					HM02300600	600	740	9,70
HM02250700 NEW!	700	840	9,66					HM02300700	700	840	10,90
HM02250800	800	940	10,72					HM02300800	800	940	12,10
HM02251000	1000	1140	12,83					HM02301000	1000	1140	14,60
ØD 70 ØAL 60 ØS 30											
HM03300100	100	260	4,90	3/8"	50	30	23	HM03350100	100	260	5,10
HM03300150	150	310	5,60					HM03350150	150	310	5,90
HM03300200	200	360	6,20					HM03350200	200	360	6,70
HM03300250	250	410	6,90					HM03350250	250	410	7,50
HM03300300	300	460	7,60					HM03350300	300	460	8,20
HM03300350	350	510	8,30					HM03350350	350	510	9,00
HM03300400	400	560	8,90					HM03350400	400	560	9,80
HM03300450	450	610	9,60					HM03350450	450	610	10,60
HM03300500	500	660	10,30					HM03350500	500	660	11,30
HM03300550	550	710	11,00					HM03350550	550	710	12,10
HM03300600	600	760	11,60					HM03350600	600	760	12,90
HM03300700 NEW!	700	860	12,99					HM03350700 NEW!	700	860	14,44
HM03300800	800	960	14,30					HM03350800	800	960	16,00
HM03301000	1000	1160	17,00					HM03351000	1000	1160	19,10

CILINDRO DOPPIO EFFETTO STANDARD
STANDARD DOUBLE ACTING CYLINDER

HMO

Series M250



Codice Code	K	Z	kg	E BSP	L	L1	C	Codice Code	K	Z	kg	
ØD 70 ØAL 60 ØS 40								ØD 73 ØAL 63 ØS 40				
HM03400200	200	360	7,30					HM0063400200	200	360	7,50	
HM03400250	250	410	8,20					HM0063400250	250	410	8,40	
HM03400300	300	460	9,10					HM0063400300	300	460	9,30	
HM03400350	350	510	10,00					HM0063400350	350	510	10,30	
HM03400400	400	560	10,90					HM0063400400	400	560	11,20	
HM03400450	450	610	11,80					HM0063400450	450	610	12,10	
HM03400500	500	660	12,70	3/8"	50	30	23	HM0063400500	500	660	13,00	
HM03400550	550	710	13,60					HM0063400550	550	710	13,90	
HM03400600	600	760	14,40					HM0063400600	600	760	14,80	
HM03400700 NEW!	700	860	16,23					HM0063400700 NEW!	700	860	16,64	
HM03400800	800	960	18,00					HM0063400800	800	960	18,40	
HM03401000	1000	1160	21,60					HM0063401000	1000	1160	22,10	
ØD 80 ØAL 70 ØS 35								ØD 80 ØAL 70 ØS 40				
HM04350100	100	260	6,10					HM04400100 NEW!	100	260	6,48	
HM04350150	150	310	6,90					HM04400150 NEW!	150	310	7,43	
HM04350200	200	360	7,80					HM04400200	200	360	8,40	
HM04350250	250	410	8,60					HM04400250	250	410	9,30	
HM04350300	300	460	9,40					HM04400300	300	460	10,30	
HM04350350	350	510	10,30					HM04400350	350	510	11,20	
HM04350400	400	560	11,10	3/8"	50	33	23	HM04400400	400	560	12,20	
HM04350450	450	610	12,00					HM04400450	450	610	13,10	
HM04350500	500	660	12,80					HM04400500	500	660	14,10	
HM04350550	550	710	13,60					HM04400550	550	710	15,10	
HM04350600	600	760	14,50					HM04400600	600	760	15,99	
HM04350700 NEW!	700	860	16,15					HM04400700 NEW!	700	860	17,91	
HM04350800	800	960	17,80					HM04400800	800	960	19,80	
HM04351000	1000	1160	21,20					HM04401000	1000	1160	23,60	
ØD 92 ØAL 80 ØS 40								ØD 92 ØAL 80 ØS 50				
HM05400200	200	380	11,22					HM05500200	200	380	12,47	
HM05400250	250	430	12,34					HM05500250	250	430	13,88	
HM05400300	300	480	13,46					HM05500300	300	480	15,28	
HM05400400	400	580	15,72					HM05500400	400	580	18,09	
HM05400500	500	680	17,77	1/2"	60	35	25	HM05500500	500	680	20,90	
HM05400600	600	780	20,22					HM05500600 NEW!	600	780	23,70	
HM05400700 NEW!	700	880	22,47					HM05500700 NEW!	700	880	26,50	
HM05400800	800	980	24,72					HM05500800	800	980	29,50	
HM05401000	1000	1180	29,22					HM05501000	1000	1180	35,00	
ØD 105 ØAL 90 ØS 50								ØD 115 ØAL 100 ØS 60				
HM0090500300	300	486	19,30									
HM0090500400	400	586	22,64									
HM0090500500	500	686	25,97									
HM0090500600	600	786	29,30	1/2"	60	40	23					
HM0090500700 NEW!	700	886	32,63									
HM0090500800	800	986	35,97									
HM0090501000	1000	1186	42,64									
HM06500200	200	410	19,60									
HM06500250	250	460	21,38									
HM06500300	300	510	23,14					HM06600300	300	510	25,32	
HM06500400	400	610	26,65					HM06600400	400	610	29,52	
HM06500500	500	710	30,17	1/2"	82	38	25	HM06600500	500	710	33,71	
HM06500600	600	810	33,69					HM06600600 NEW!	600	810	37,90	
HM06500700 NEW!	700	910	37,21					HM06600700	700	910	42,10	
HM06500800	800	1010	40,72					HM06600800	800	1010	46,30	
HM06501000	1000	1210	47,50					HM06601000	1000	1210	54,69	



www.hydrotruck.cz
info@hydrotruck.cz

Hydrotruck s.r.o.
Tovačovská 3457/4a
750 02, Přerov
Česká republika